



Figure can vary

**Part no.: 63000201**  
**S200-M1C1-M20**  
**Safety switch**



## Contents

- Technical data
- Dimensioned drawings
- Electrical connection
- Circuit diagrams
- Accessories

Part no.: 63000201 – S200-M1C1-M20 – Safety switch

## Technical data

<b>Basic data</b>	
Series	S200
<b>Functions</b>	
Functions	Integration in control circuits up to category 4 in accordance with EN ISO 13849 Locking device without guard interlocking according to ISO 14119
<b>Characteristic parameters</b>	
Mission time $T_M$	20 years, EN ISO 13849-1
B10d	2,000,000 number of cycles
<b>Electrical data</b>	
Usage category at DC 13	Ue / Ie: 24 V / 6 A, 125 V / 1.1 A, 250 V / 0.4 A, EN 60947-5-1
Usage category at AC 15	Ue / Ie: 250 V / 6 A, 400 V / 4 A, 500 V / 1 A, EN 60947-5-1
Contact allocation	1NC + 1NO
Contact opening	Force-fit
Short circuit protected	500 V, 10 A, type aM, IEC 60269-1
Contact protection	Earthing
<b>Performance data</b>	
Rated insulation voltage	500 V AC, 600 V DC
Conventional thermal current, max.	10 A
<b>Connection</b>	
Number of connections	1 Piece(s)
Number of cable entries	1 Piece(s)
<b>Connection 1</b>	
Type of connection	Terminal
Function	Contact connection
Type of terminal	Screw terminal
No. of pins	4 -pin
<b>Cable properties</b>	
Connection cross sections	1 x 0.5 mm <sup>2</sup> to 2 x 2.5 mm <sup>2</sup> , wire
<b>Mechanical data</b>	
Design	Cubic
Dimension (W x H x L)	40 mm x 38 mm x 109.5 mm
Housing material	Metal, ZAMAK
Electrical contact material	Silver alloy
Net weight	294 g
Housing color	Gray Red
Type of fastening	Through-hole mounting
Type of cable entry	M20 x 1.5
Switch type	Interlock device without guard interlocking, ISO 14119
Switching principle	Slow-action contact
Approach actuation directions	1 x top 4 x side (90°)
Approach speed	0 ... 0.5 m/s

Part no.: 63000201 – S200-M1C1-M20 – Safety switch

Mechanical life time	1,000,000 actuation cycles, IEC 6047-5-1
Actuation frequency, max.	3,600 per hour, IEC 6047-5-1
External actuator	AC-AHxx, series, straight, angled, resilient, alignable
Actuation force (pull-out)	10 N
Actuating path with forced separation	8.6 mm
Recoil tolerance	4.5 mm

**Environmental data**

Ambient temperature, operation	-25 ... 80 °C
Degree of contamination, external	3, EN 60947-1

**Certifications**

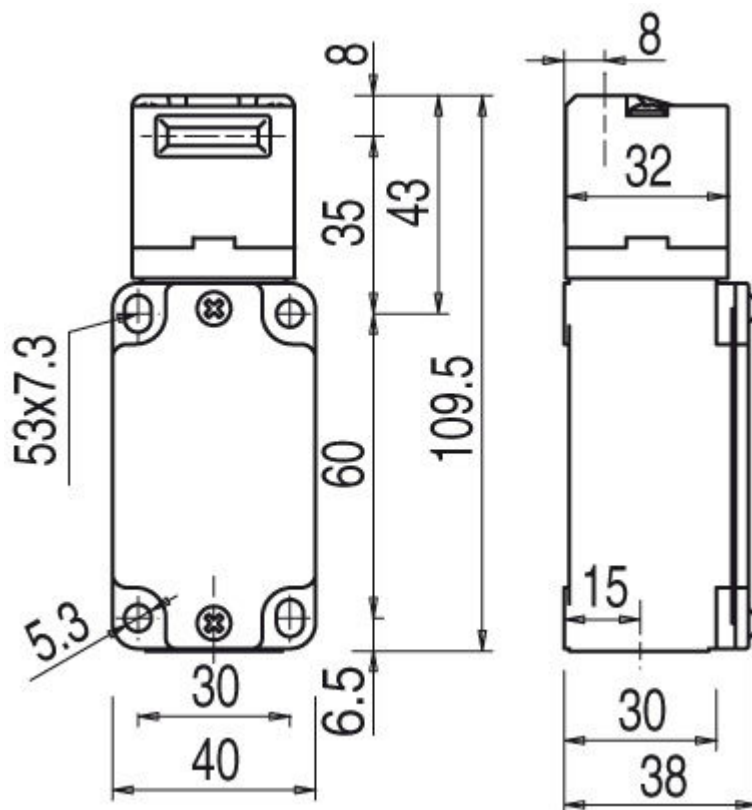
Degree of protection	IP 67
Certifications	IMQ c UL US

**Classification**

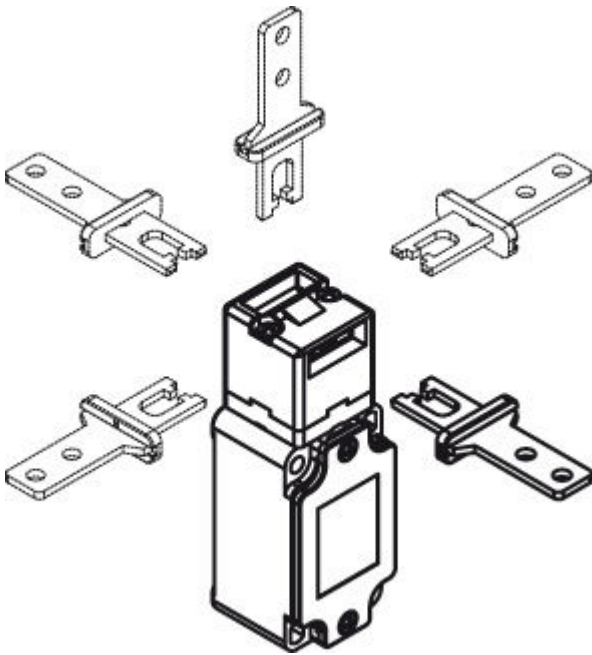
eCl@ss 8.0	27272602
eCl@ss 9.0	27272602
ETIM 5.0	EC002592

## Dimensioned drawings

All dimensions in millimeters



Approach directions

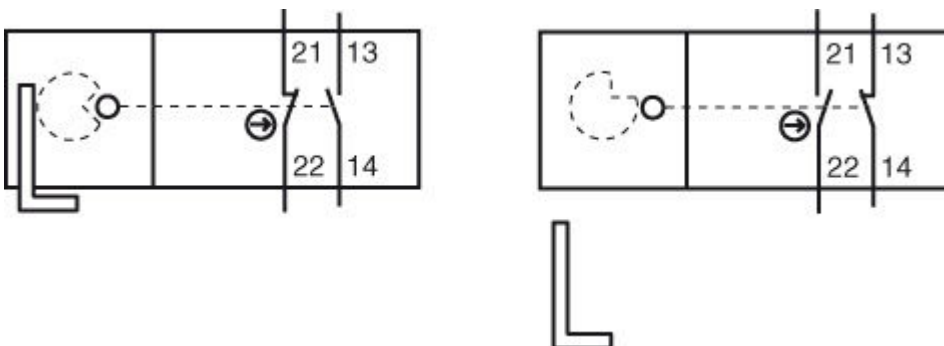


**Electrical connection**

Connection 1	
Type of connection	Terminal
Function	Contact connection
Type of terminal	Screw terminal
No. of pins	4 -pin

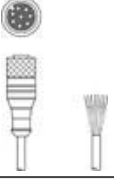
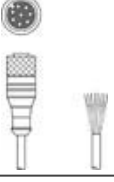


Terminal	Assignment
13	NC
14	NC
21	NO
22	NO

**Circuit diagrams**




## Accessories


### Connection technology - Connection cables

	Part no.	Designation	Article	Description
	50135128	KD S-M12-8A-P1-050	Connection cable	Connection 1: Connector, M12, Axial, Female, A-coded, 8 -pin Connection 2: Open end Shielded: Yes Cable length: 5,000 mm Sheathing material: PUR
	50135129	KD S-M12-8A-P1-100	Connection cable	Connection 1: Connector, M12, Axial, Female, A-coded, 8 -pin Connection 2: Open end Shielded: Yes Cable length: 10,000 mm Sheathing material: PUR
	50135130	KD S-M12-8A-P1-150	Connection cable	Connection 1: Connector, M12, Axial, Female, A-coded, 8 -pin Connection 2: Open end Shielded: Yes Cable length: 15,000 mm Sheathing material: PUR
	50135131	KD S-M12-8A-P1-250	Connection cable	Connection 1: Connector, M12, Axial, Female, A-coded, 8 -pin Connection 2: Open end Shielded: Yes Cable length: 25,000 mm Sheathing material: PUR

### Connection technology - Connectors

	Part no.	Designation	Article	Description
	63000845	AC-PLM-8	Built-in plug	Number of conductors: 8 Piece(s) Connection: Connector, M12, Metal, Axial, 8 -pin

### Connection technology - Adapters

	Part no.	Designation	Article	Description
	63000843	AC-A-M20-12NPT	Adapter	Design: M20 x 1.5 on 1/2 NPT

Part no.: 63000201 – S200-M1C1-M20 – Safety switch

## Actuator

	Part no.	Designation	Article	Description
	63000721	AC-AH-A	Actuator	Dimensions: 30 mm x 32.3 mm x 41.3 mm Type of fastening: Through-hole mounting Design: Angled Area of application: Heavy duty Mounting bore holes: In key direction Material: Stainless steel
	63000724	AC-AH-F1J2	Actuator	Dimensions: 56 mm x 16 mm x 37 mm Type of fastening: Through-hole mounting Design: Straight Area of application: Heavy duty Mounting bore holes: In key direction Material: Plastic, Stainless steel Functions: Flexible, 1 direction, Adjustable, 2 directions
	63000723	AC-AH-F2J2	Actuator	Dimensions: 30 mm x 22 mm x 46 mm Type of fastening: Through-hole mounting Design: Straight Area of application: Heavy duty Mounting bore holes: 90° to key direction Material: Plastic, Stainless steel Functions: Flexible, 2 directions, Adjustable, 2 directions
	63000722	AC-AH-F4	Actuator	Dimensions: 30 mm x 16 mm x 50 mm Type of fastening: Through-hole mounting Design: Straight Area of application: Heavy duty Mounting bore holes: 90° to key direction Material: Plastic, Stainless steel Functions: Flexible, 4 directions
	63000725	AC-AH-F4J2-TK	Actuator	Dimensions: 39 mm x 20 mm x 49.8 mm Type of fastening: Through-hole mounting Design: Straight Area of application: Heavy duty Mounting bore holes: In key direction, 90° to key direction Material: Stainless steel Functions: Flexible, 4 directions, Rotatable head, Key, Adjustable, 4 directions
	63000720	AC-AH-S	Actuator	Dimensions: 30 mm x 10 mm x 69 mm Type of fastening: Through-hole mounting Design: Straight Area of application: Heavy duty Mounting bore holes: 90° to key direction Material: Stainless steel
	63000846	AC-KL-AH	Actuator interlock	Material: Metal